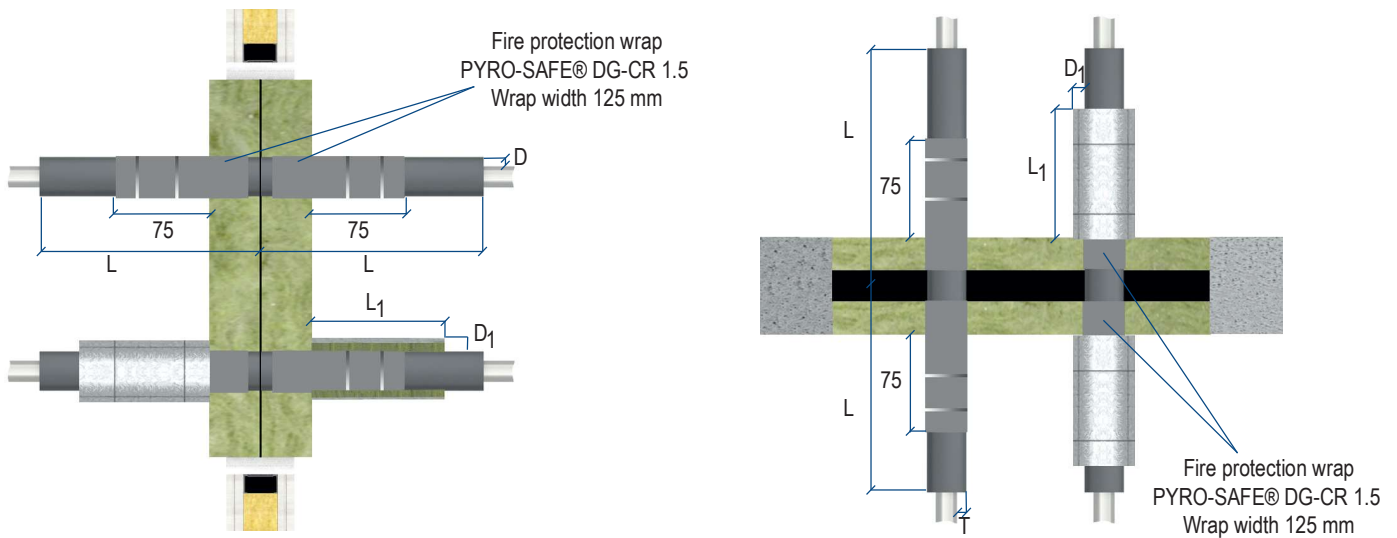


PYRO-SAFE® Flammotect double layer

6.8 Non-combustible pipes – section insulation made of FEF „NH/Armaflex“

- Section insulation consisting of FEF must be routed through the component opening to be sealed.
- The pipes must be wrapped with the fire protection wrap PYRO-SAFE® DG-CR 1.5.
- The fire protection wrap PYRO-SAFE® DG-CR 1.5 is coated on one side and equipped with a protective film. This must be removed before the wrap is fixed in position with the coated side pointing inwards and with steel wires.
- Protective insulation must additionally be installed; fixing in position must be ensured through suitable measures to prevent slipping.

Measures for sealing in walls and floors



Wall-/Floor-, seal thickness and implementation. See page 18

Dimensions in mm



PYRO-SAFE® Flammotect double layer

Non-combustible pipes – section insulation made of FEF „NH/Armaflex“

Material	Pipe		Insulation length (L) x insulation thickness (D) [mm]	Fire protection wrap PYRO-SAFE® DG-CR 1.5				Protective insulation		Fire resistance class		
	Outside Ø [mm]	Wall thickness [mm]		Wrap width [mm]	Qty. wraps [n]	Qty. layer [n]	Inside seal [mm]	Outside seal [mm]	Length (L1): [mm]	Thickness D1 [mm]	Wall	Floor
Copper, steel, stainless steel, cast iron	Ø ≤ 10	≥ 0,8	≥ 500 x 9-19	125	2	1	50	75	250	20	EI 120 C/U	EI 120 U/C
	Ø ≤ 15		≥ 750 x 9-25	125	2	1	50	75	250	20	EI 90 / E 120 C/U	EI 120 C/U
			Continuous x 9-25	125	2	1	50	75	250	20	EI 120 C/U	-
			≥ 750 x 9-19	125	2	1	50	75	250*	13*	EI 120 C/U	EI 120 U/C
	Ø ≤ 28	≥ 1,0	Continuous x 10-50	125	2	1	50	75	250	20	EI 120 C/U	-
			≥ 750 x 9-25	125	2	1	50	75	250	20	EI 90 / E 120 C/U	EI 120 U/C
		≥ 1,2	Continuous x 25	125	2	1	50	75	250	20	EI 120 C/U	-
			Continuous x 10-50	125	2	1	50	75	250	20	EI 120 C/U	-
	Ø ≤ 42	≥ 2,0	Continuous x 89	125	2	1	50	75	500	40	EI 120 C/U	-
			≥ 750 x 10-50	125	2	1	50	75	250	20	EI 120 C/U	EI 120 U/C
		≥ 1,2	≥ 750 x 10-50	125	2	1	50	75	250*	26 (2x13)*	EI 120 C/U	EI 120 U/C
	Ø ≤ 54	≥ 1,5	Continuous x 89	125	2	1	50	75	500	40	EI 120 C/U	-
			≥ 1000 x 25	125	2	1	50	75	250	20	EI 90 / E 120 C/U	EI 120 U/C
		≥ 2,0	Continuous x 25	125	2	1	50	75	250	20	EI 120 C/U	-
			≥ 1000 x 29-57	125	2	1	50	75	500	30	EI 90 C/U	-
	Ø ≤ 88,9	≥ 2,0	Continuous x 89	125	2	1	50	75	500	40	EI 120 C/U	-
			≥ 1000 x 25-89	125	2	2	50	75	500	30	EI 90 C/U	-
		≥ 2,5	≥ 1000 x 25	125	2	1	50	75	250	40	-	EI 90 U/C
≥ 1000 x 89			125	2	1	50	75	250	40	-	EI 90 U/C	
Ø ≤ 108	≥ 2,5	≥ 1000 x 57	125	2	2	50	75	750	40	EI 90 C/U	-	
		≥ 1000 x 57	125	1	1	125**	0**	1000**	40**	-	EI 90 C/U	
Steel, stainless steel, cast iron	Ø ≤ 170	≥ 2,9	≥ 1000 x 50-89	125	2	1	50	75	750	60	EI 120 C/U	EI 90 U/C

* Protective insulation „Armaflex Protect“

** Install wrap flush with lower penetration sealing system board; the protective insulation must only be installed on the upper ceiling side.